

# CESAB R300 1.4 - 2.0 tonne

Reach Trucks



## Truck Specifications



## CESAB R314 - R320 Truck Specifications

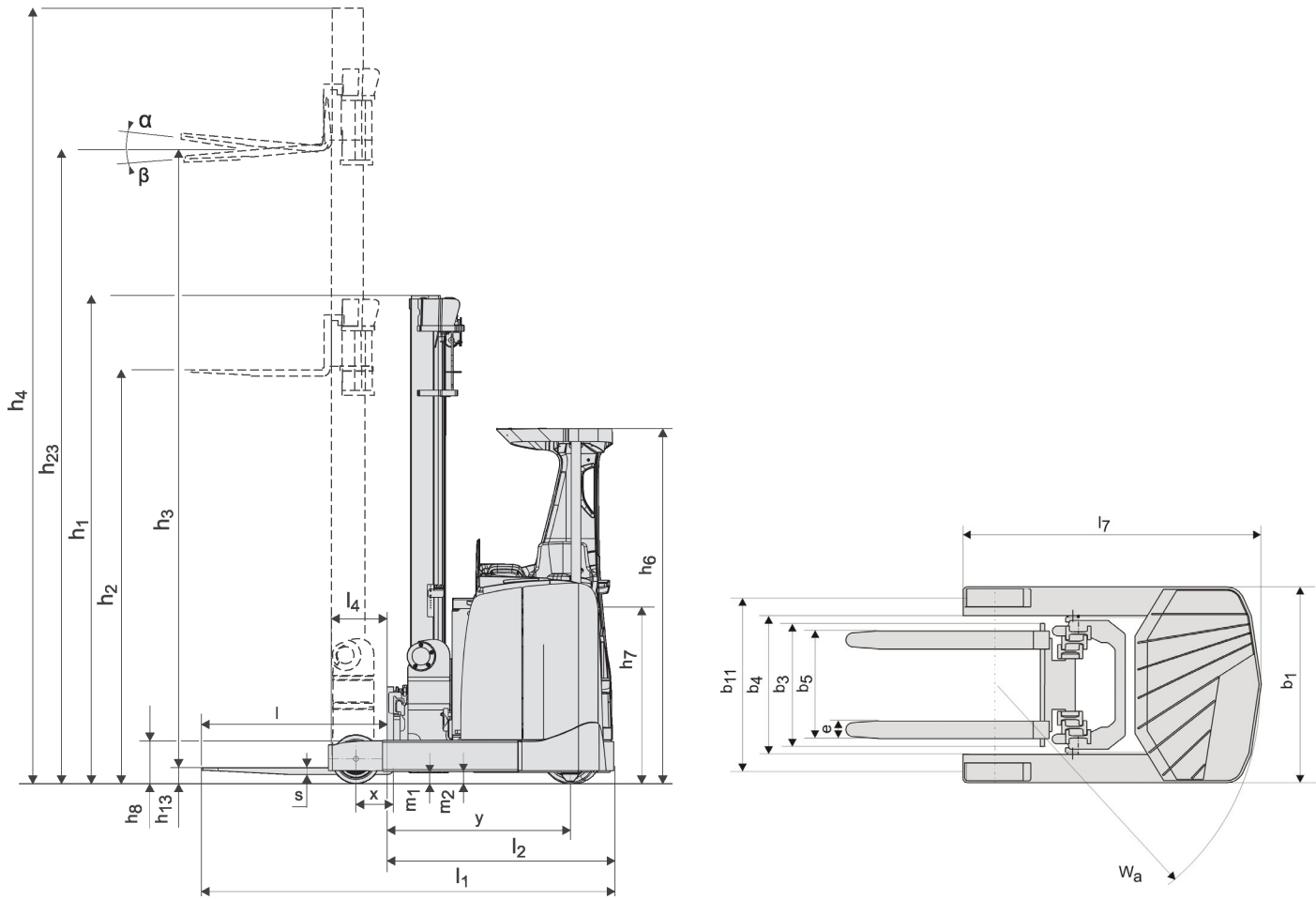
CHARACTERISTICS					
1.1	Manufacturer		CESAB	CESAB	CESAB
1.2	Model		R314	R316	R320
1.3	Drive		Electric	Electric	Electric
1.4	Operator type		Seated	Seated	Seated
1.5	Load capacity/rated load	Q [kg]	1400	1600	2000
1.6	Load centre	c [mm]	600	600	600
1.8	Load distance, centre of support arm wheel to face of forks	x [mm]	305*	347*	446*
1.9	Wheelbase	y [mm]	1295	1335	1515
WEIGHT					
2.1	Service weight including battery	[kg]	3538	3540	4206
2.3	Axle load, mast retracted without load, drive/support arm wheel	[kg]	2059/1478	2097/1443	2575/1630
2.4	Axle load, mast extended with load, drive/support arm wheel	[kg]	592/4346	505/4635	769/5436
2.5	Axle load, mast retracted with load, drive/support arm wheel	[kg]	1713/3225	1761/3379	2348/3858
WHEELS					
3.1	Drive/support arm wheel	[mm]	Vulkollan	Vulkollan	Vulkollan
3.2	Wheel size, front	[mm]	350	350	400
3.3	Wheel size, rear	[mm]	300	300*	350
3.5	Wheels, number front/rear (x=driven wheels)		1x/2	1x/2	1x/2
3.7	Track width, rear	b <sub>11</sub> [mm]	1134	1134	1134
DIMENSIONS					
4.1	Tilt of fork, forward/backward	α/β [deg]	4°/-2**	4°/-2**	4°/-2**
4.2	Height, mast lowered	h <sub>1</sub> [mm]	3231	3231	3231
4.3	Free lift	h <sub>2</sub> [mm]	2190*	2190*	2190*
4.4	Lift	h <sub>3</sub> [mm]	7460*	7460*	7460*
	Lift height	h <sub>23</sub> [mm]	7500*	7500*	7500*
4.5	Height, mast extended	h <sub>4</sub> [mm]	8140*	8140*	8140*
4.7	Height of overhead guard (cab)	h <sub>6</sub> [mm]	2198	2198	2260
4.8	Seat height	h <sub>7</sub> [mm]	1131	1131	1193
4.10	Height of support arms	h <sub>8</sub> [mm]	268	268	330
4.15	Height of lowered forks	h <sub>13</sub> [mm]	40	40	40
4.19	Overall length	l <sub>1</sub> [mm]	2362	2365	2446
4.20	Length to face of forks	l <sub>2</sub> [mm]	1252	1250	1331
4.21	Overall width	b <sub>1</sub> [mm]	1270	1270	1270
4.22	Fork dimensions	s/e/l [mm]	40/100/1150*	40/100/1150*	40/120/1150*
4.23	Fork carriage ISO 2328, class/type A, B		II A	II A	II A
4.25	Width over forks	b <sub>5</sub> [mm]	250-738	250-738	250-738
4.26	Distance between support arms	b <sub>4</sub> [mm]	900*	900*	900*
4.28	Reach distance	l <sub>4</sub> [mm]	434*	474*	670*
4.31	Ground clearance, with load, below mast	m <sub>1</sub> [mm]	68	68	68
4.32	Ground clearance, centre of wheelbase 1)	m <sub>2</sub> [mm]	74	74	77
4.33	Aisle width for pallets 1000 x 1200 crossways	A <sub>st</sub> [mm]	2675	2684	2794
4.34	Aisle width for pallets 800 x 1200 lengthways	A <sub>st</sub> [mm]	2737	2739	2831
4.35	Turning radius	W <sub>a</sub> [mm]	1557	1597	1777
4.37	Length across support arms	l <sub>7</sub> [mm]	1728	1768	1973
PERFORMANCE DATA					
5.1	Travel speed, with/without load	[km/h]	11/11	10/11	11/11
5.2	Lift speed, with/without load	[m/s]	0,35/0,70	0,35/0,70	0,35/0,70
5.3	Lowering speed, with/without load	[m/s]	0,55/0,55	0,55/0,55	0,55/0,55
5.4	Reach speed, with/without load	[m/s]	0,25/0,25	0,25/0,25	0,25/0,25
5.8	Max. gradeability, with/without load 2)	[%]	10/15	10/15	10/15
5.1	Service brake		Electric	Electric	Electric
ELECTRIC MOTOR					
6.1	Drive motor rating S2 60 min	[kW]	7,5	7,5	9,0
6.2	Lift motor rating S3 15%	[kW]	11	11	15
6.4	Battery voltage, nominal capacity K5	[V/Ah]	48/465*	48/465*	48/620*
6.5	Battery weight	[kg]	725*	725*	940*
6.6	Energy consumption acc to VDI cycle 3)	[kWh/h]			
OTHER					
8.1	Type of drive control		Variable AC	Variable AC	Variable AC
8.4	Sound level at the driver's ear according to EN 12 053	[dB(A)]	66	66	66

1) 15 mm under studs 2) Measured according to company standard 3) Contact your supplier for information \*) Other alternatives are available

All data are based on table configuration. Other configurations may give other values. Truck performance and dimensions are nominal and subject to tolerances. Products and specifications are subject to change without notice.



## CESAB R314 - R320 Dimensional Drawings



### Battery compartments

DIMENSIONS										
R300		R314		R316			R320			
4.20	Battery compartment depth	[mm]	275**	347	275**	347	419	347	419	491
4.20	Length to face of forks *	$l_2$ [mm]	1252	1324	1250	1322	1394	1331	1403	1475
4.33	Aisle width for pallets 1000x1200 crossways *	$A_{st}$ [mm]	2675	2731	2684	2738	2795	2794	2844	2897
4.34	Aisle width for pallets 800x1200 lengthways *	$A_{st}$ [mm]	2737	2803	2739	2805	2871	2831	2895	2960
6.4	Battery voltage, nominal capacity K5	[V/Ah]	48/465	48/620	48/465	48/620	48/775	48/620	48/775	48/930
6.5	Battery weight, min.—max.	[kg]	685-825	875-1030	685-825	875-1030*	1055-1235*	875-1030	1055-1235	1240-1440
1.8	Load distance, centre of support arm wheel to face of forks	$x$ [mm]	305	233	347	275	203	446	374	302

\* = including sideshift \*\* Max. lift height 7500 mm

### Masts

DIMENSIONS									
R300		Triplex Freelift							
Lift height	$h_{23}$ [mm]	6750	7000	7150	7500	8000	8500		
Lift	$h_3$ [mm]	6710	6960	7110	7460	7960	8460		
R314	Height, mast lowered	$h_1$ [mm]	—	3064	2981	3231	3398	3564	
	Free lift	$h_2$ [mm]	—	2023	1940	2190	2357	2523	
R316	Height, mast extended	$h_4$ [mm]	—	7640	7440	8140	8640	9140	
	Height, mast lowered	$h_1$ [mm]	2981	3064	2981	3231	3398	3564	
R320	Free lift	$h_2$ [mm]	1940	2023	1940	2190	2357	2523	
	Height, mast extended	$h_4$ [mm]	7390	7640	7440	8140	8640	9140	
R320	Height, mast lowered	$h_1$ [mm]	2981	3064	2981	3231	3398	-	
	Free lift	$h_2$ [mm]	1940	2023	1940	2190	2357	-	
Height, mast extended	$h_4$ [mm]	7390	7640	7440	8140	8640	-		

\* = including sideshift

Availability and specifications are determined regionally and are subject to change without notice.  
Please consult your authorised CESAB distributor for further details. P&B-0410 R300/S1, 0/APR10.

